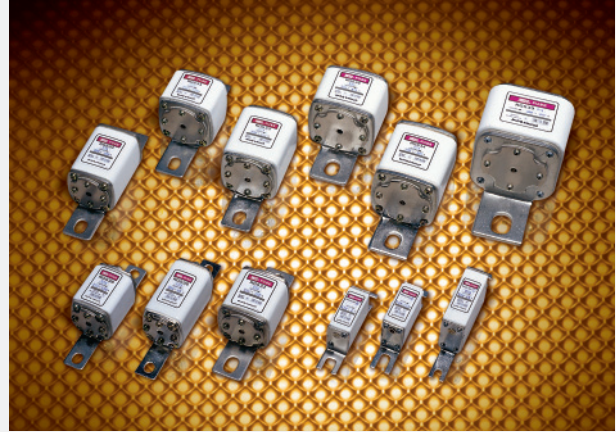


## Bolt Connected Square Pipe Type Fast-acting Fuse Links For Semiconductor protection



### ► Applications

This series of fuses are mainly used in circuits of AC 50Hz, rated voltage of 2000V and rated current of 2500A, to protect the semiconductor components and the whole unit from circuit short. (aR).

The breaking capacity of the fuses is up to 100KA.

The fuses are compliant with the IEC269-1/IEC269-4 and GB13539.1/GB13539.4 .

### ► Basic Data

The models, dimensions, ratings are shown in Figures 7.1~7.16 and Tables 7 .

### ► Design Features

The variable cross-section fuse element made from pure silver sheets are sealed in the melting tube made of high-density porcelain; The fuse tube is filled with chemically treated high-purity quartz as arc-extinguishing medium; The two ends of the melting body are connected to the (knife) contactor by dot welding; Both knife contactors and board contacts are available; A striker/indicator may be installed to the fuse link; When the fuse link breaks, signals are sent out in the case of an indicator, or the switch is pushed to cut the circuit in the case of a striker.

Table 7

Cat. No.	Models	Cross-reference	Rated voltage (V)	Rated current (A)	Dimensions/sizes (mm)										Weight (g)
					Fig.	A	B	C	D	E	F	H	$\phi d$		
0701	RS711B	NGT00 HLS00	380/800	32~200	7.1	50	77	100	29	27	2	51	11	198.5	
0702	RGS30A	3NE87	660	10~160	7.1	50	77	98	21	20	2	38	9	122	
0703	RGS30B	-	660	10~160	7.1	50	77	98	21	20	2	33.5	9	110	
0704	RGS30C	RS0-250V	250	30~50	7.1	50	100	115	25	16	2	45	7	138	
0705	RGS30C	RS0-500V/RS3-500V	500	10~50	7.1	70	120	135	25	16	2	45	7	163	

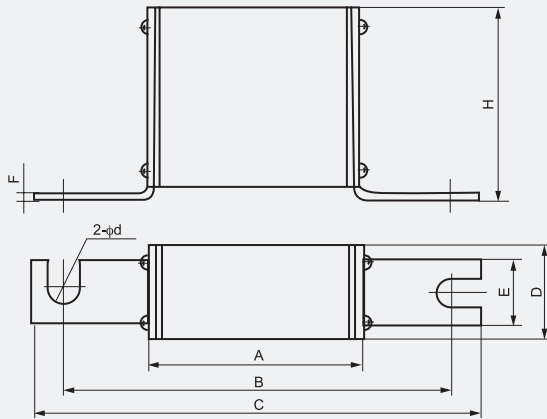


Figure 7.1



Low-Voltage Fuses  
Fuse links

Table 7 (cont.)

Cat. No.	Models	Cross-reference	Rated voltage (V)	Rated current (A)	Dimensions/sizes (mm)										Weight (g)
					Fig.	A	B	C	D	E	F	H	$\phi d$		
0706	RGS36	RS0-250V	250	80~100	7.2	50	100	120	40	20	2	43	7 × 10.5	277.5	
0707	RGS32	RS0-250V	250	150~200	7.2	52	100	125	46	29	3	50	9 × 13.5	400	
0708	RGS33	RS0-250V	250	350	7.2	52	100	130	55	30	3	60	9 × 13.5	542	
0709	RGS34	RS0-250V	250	480	7.2	56	100	135	66	40	5	72	13 × 19.5	950	
0710	RGS36	RS0-500V	500	80~100	7.2	70	120	140	40	20	2	43	7 × 10.5	336.5	
0711	RGS32	RS0-500V	500	150~200	7.2	72	120	145	46	29	3	50	9 × 13.5	482	
0712	RGS33	RS0-500V	500	200~350	7.2	72	120	150	46	30	3	60	9 × 13.5	670	
0713	RGS34	RS0-500V	500	480	7.2	76	120	155	66	40	5	72	13 × 19.5	1058	
0714	RGS33	RS0-750V	750	250~320	7.2	72	120	150	55	30	3	60	9 × 13.5	678	
0715	RGS34	RS0-750V	750	350	7.2	76	120	155	66	40	5	72	13 × 19.5	1080	
0716	RGS36	RS3-500V	500	80~100	7.2	70	120	140	40	20	2	43	7 × 10.5	330	
0717	RGS32	RS3-500V	500	150	7.2	72	120	145	46	29	3	50	9 × 13.5	482	
0718	RGS33	RS3-500V	500	200	7.2	72	120	150	55	30	3	60	9 × 13.5	678	
0719	RGS34	RS3-500V	500	250	7.2	76	120	155	66	40	5	72	13 × 19.5	1080	
0720	RGS34	RS3-500V	500	300	7.2	76	146	172	66	40	5	66	13 × 19.5	1080	
0721	RGS39	RS3-500V	500	500	7.2	76	136	173	85	50	5	91	17 × 24	1760	
0722	RGS34	RS3-750V	750	200~250	7.2	76	120	155	66	40	5	75	13 × 19.5	1080	
0723	RGS34	RS3-750V	750	600	7.2	76	120	155	66	40	10	145	13 × 19.5	1730	

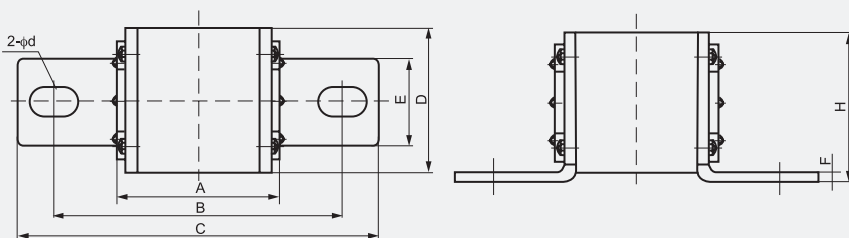


Figure 7.2



Table 7 (cont.)

Cat. No.	Models		Rated voltage (V)	Rated current (A)	Dimensions/sizes (mm) Fig.	Weight (g)
	MIRO	Cross-reference				
0724	RGS39	RS3-750V	750	700	See figure 7.3	1730

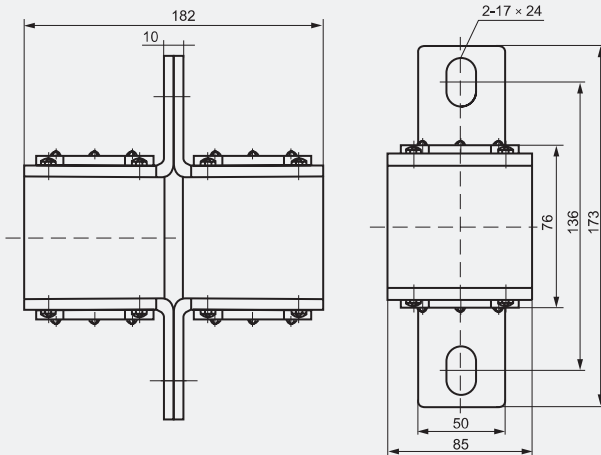


Figure 7.3



Table 7 (cont.)

Cat. No.	Models		Rated voltage (V)	Rated current (A)	Fig.	Dimensions/sizes (mm)							Weight (g)
	MIRO	Cross-reference				A	B	C	D	E	F	φd	
0725	RS71B	LK-NES	800	50~200	7.4	76	104	135	43	22	6	10.5	370
0726	NGT1	RS6-1	380/660/1000	100~250	7.4	68	110	140	48	25	6	10.5	458
0727	NGT2	RS6-2	380/660/1000	200~400	7.4	68	110	140	58	32	6	10.5	654
0728	NGT3	RS6-3	380/660/1000	355~630	7.4	68	110	140	67	38	6	10.5	920

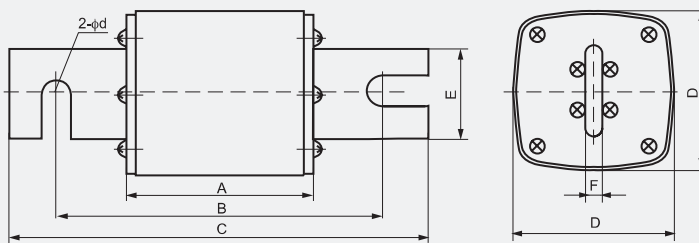


Figure 7.4



Table 7 (cont.)

Cat. No.	Models		Rated voltage (V)	Rated current (A)	Dimensions/sizes (mm) Fig.	Weight (g)
	MIRO	Cross-reference				
0729	RS71	NG1	660	80~160	See figure 7.5	340

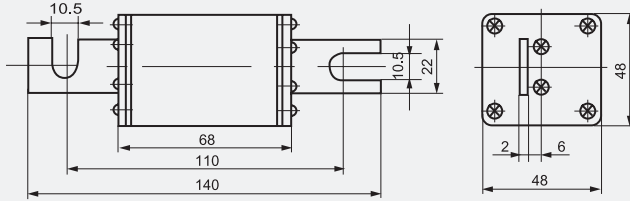


Figure 7.5



Low-Voltage Fuses  
 Fuse links

Table 7 (cont.)

Cat. No.	Models		Rated voltage (V)	Rated current (A)	Fig.	Dimensions/sizes (mm)								Weight (g)
	MIRO	Cross-reference				A	B	C	D	E	F	H	φd	
0730	NGT1Q	3NE32...	660/1000	100~250	7.6	66	108	140	48	20	6	58	10.5	465
0731	RS75AQ	3NE33...	660/1000	300~630	7.6	66	108	140	60	32	6	78	12.5	730

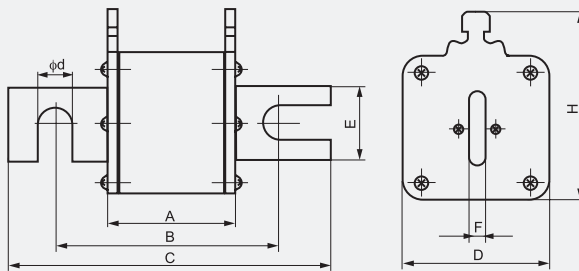


Figure 7.6



Table 7 (cont.)

Cat. No.	Models MIRO	Cross-reference	Rated voltage (V)	Rated current (A)	Dimensions/sizes (mm)										Weight (g)
					Fig.	A	B	C	D	E	F	H	$\phi d$		
0732	RS72B	A1-66C-D8	660	200-400	7.7	44	76	108	50	25	6	68	10.5	360.5	
0733	RS72C	A1-66C-D1	660	315-400	7.7	44	108	140	50	25	6	68	10.5	383	
0734	RS73A	A2-66C-D8	660	250-630	7.7	44	76	108	60	32	6	78	10.5	527	
0735	RS73B	A2-66C-D1	660	250-630	7.7	44	108	140	60	32	6	78	10.5	551	
0736	RS73D	-	660	200-400	7.7	44	92	127	60	32	6	78	13	550	
0737	RS74A	A3-66C-D8	660	400-800	7.7	44	76	108	73	38	6	90	12.5	810	
0738	RS74B	A3-66C-D1	660	500-800	7.7	44	108	140	73	38	6	90	12.5	860	
0739	RS74D	-	660	500-800	7.7	44	92	127	73	40	6	90	13	944	
0740	RS75A	-	660/1000	450-800	7.7	66	108	140	60	32	6	78	12.5	700	
0741	RS75B	-	660/1000	500-800	7.7	76	108	140	60	32	6	78	12.5	770	
0742	RS76AYK	170M61...	660/1000	630-1000	7.7	66	108	140	72	38	6	90	10.5	1045	
0743	RS76C	170M62...	660/1000	630-1000	7.7	76	108	140	72	38	6	90	12.5	1436	
0744	RS450	3NET	1500	450	7.7	172	208	240	74	32	6	92	12.5	1965	

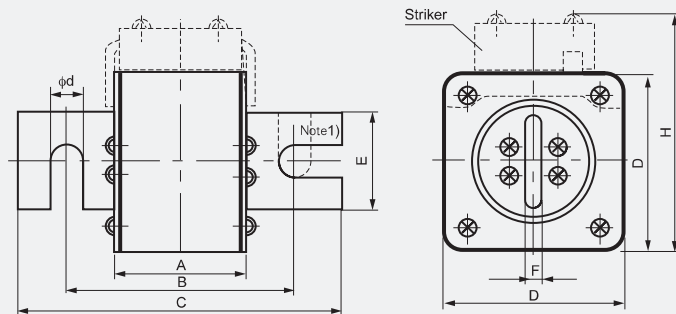
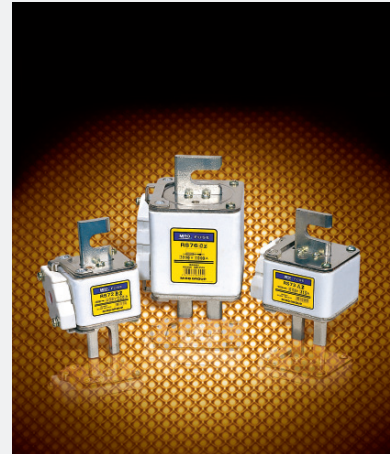


Figure 7.7

Note 1) : Openings on knives are radial in RS76D, RS74SD.

Table 7 (cont.)

Cat. No.	Models MIRO	Cross-reference	Rated voltage (V)	Rated current (A)	Dimensions/sizes (mm)										Weight (g)
					Fig.	A	B	C	D	E	F	H	$\phi d$		
0745	RS76A	-	660/1000	500-800	7.8	66	102	140	72	38	6	90	12.5 x 22	1055	
0746	RS76B	-	660/1000	500-800	7.8	66	108	140	72	38	6	90	12.5 x 22	1040	
0747	RS89B	-	1000	1600	7.8	69	107	150	105	50	16	120	14 x 23	2800	

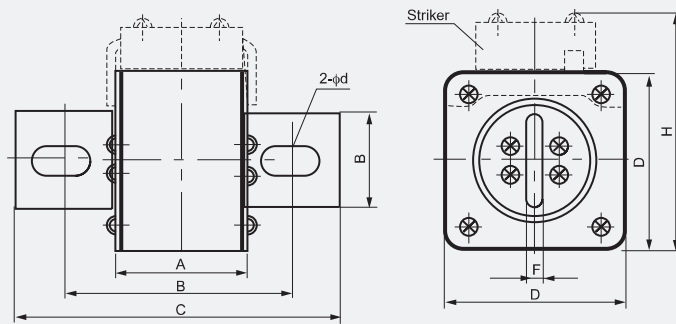


Figure 7.8



Table 7 (cont.)

Cat. No.	Models MIRO	Cross-reference	Rated voltage (V)	Rated current (A)	Dimensions/sizes (mm) Fig.	Weight
						(g)
0748	RS72A(Z)	-	660	80-315	See figure 7.9	238

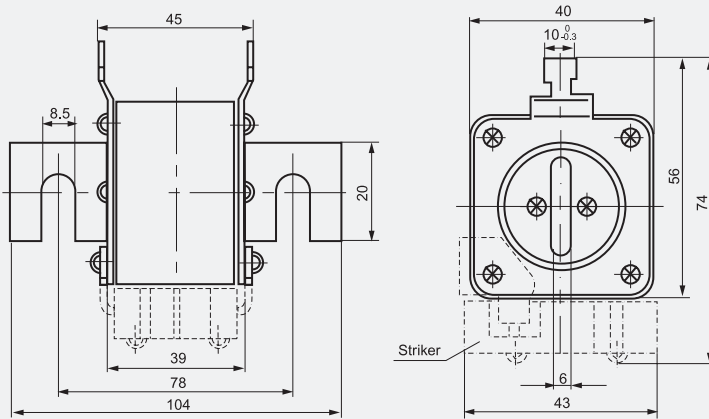


Figure 7.9



Low-Voltage Fuses  
 Fuse links



Table 7 (cont.)

Cat. No.	Models MIRO	Cross-reference	Rated voltage (V)	Rated current (A)	Dimensions/sizes (mm) Fig.	A	C	D	H	md	Weight (g)
						0749	RS550	-	2000	550	7.10
0750	NGT3M	-	380/660/1000	355-630	7.10	67	76	67	85	12	910
0751	RS77	A1-66C-TS	660	200-400	7.10	42	50	50	68	8	354
0752	RS77A	A0-66C-TS	660	80-160	7.10	39	47	40	58	8	225
0753	RS77B	A2-66C-TS	660	400-630	7.10	42	50	60	78	10	518
0754	RS77C	A3-66C-TS	660	630-1000	7.10	45	54	74	92	12	865
0755	RS77H	-	1000	200-400	7.10	66	76	50	68	8	528
0756	RS78	3NE43..6B	660	315-500	7.10	66	77	60	77	10	660
0757	RS79	-	1000	400-1000	7.10	92	106	74	92	12	1655
0758	RS79A	170M34..	660	200-400	7.10	46	52	43	61	8	277
0759	RS79C	-	1000	400-1000	7.10	77	85	74	92	12	1325
0760	RS79D	140M63..	1000	800-1000	7.10	67	75	74	92	12	1170
0761	RS79E	170M64..	1000	630-1000	7.10	75	91	74	92	12	1420
0762	RS550Z	-	2000	550	7.10	135	143	74	92	12	1985
0763	RS82	CS5F	500	75-200	7.10	40	47	47	70	8	325
0764	RS83	CS5F	500	200-400	7.10	43	51	57	82	8	450
0765	RS84	CS5F	500	450-630	7.10	42	53	72	92	10	830
0766	RS85	CS10F	500	150-250	7.10	66	76	60	77	10	740
0767	RS86	3NE64..	500	300-500	7.10	66	77	72	92	10	1110
0768	RS86A(Z)	RSF-4	500/800	800-1250	7.10	68	78	85	130	12	1200
0769	RS87	RSF-5	500/1000	1250-1600	7.10	70	80	105	150	16	1320
0770	RS87A(Z)	RSF-6	800/1000	1600-2500	7.10	81	91	120	165	16	2216
0771	RS88A	-	660	800-1600	7.10	78	90	105	127	16	1240

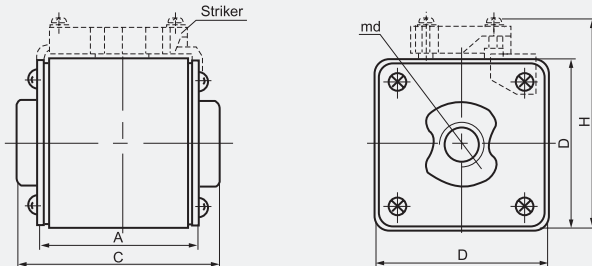


Figure 7.10



Table 7 (cont.)

Cat. No.	Models	Cross-reference	Rated voltage (V)	Rated current (A)	Dimensions/sizes (mm) Fig.	Weight (g)
0772	RS88	-	660	630-800	See figure 7.11	955

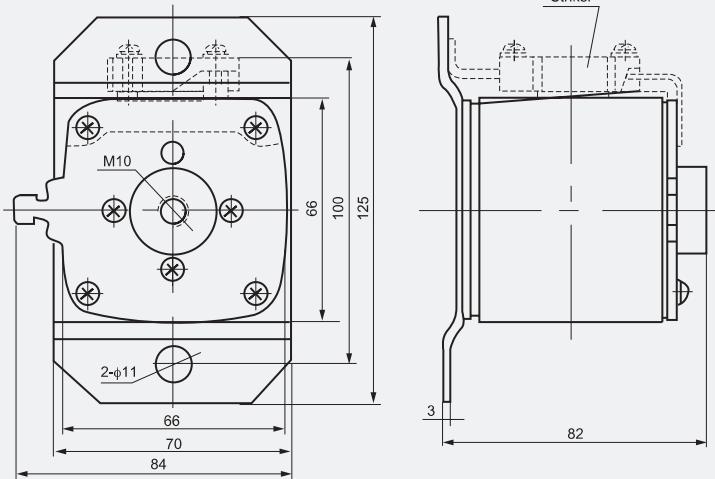


Figure 7.11



Table 7 (cont.)

Cat. No.	Models	Cross-reference	Rated voltage (V)	Rated current (A)	Dimensions/sizes (mm) Fig.	Weight (g)
0773	RS89	170M70..	1000	1000-1800	See figure 7.12	2930

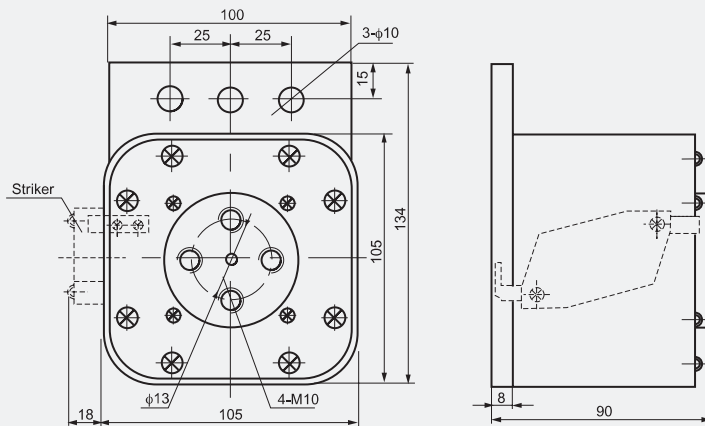


Figure 7.12

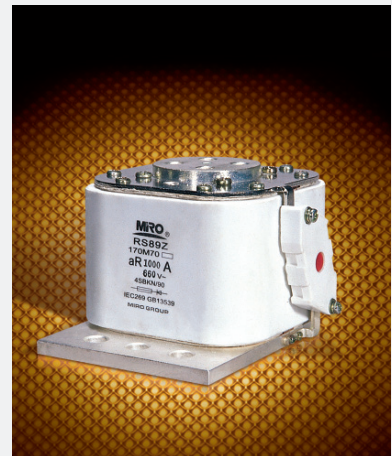


Table 7 (cont.)

Cat. No.	Models	Cross-reference	Rated voltage (V)	Rated current (A)	Dimensions/sizes (mm) Fig.	Weight (g)
0774	RS88-2M	-	660	1000-1600	See figure 7.13	2335

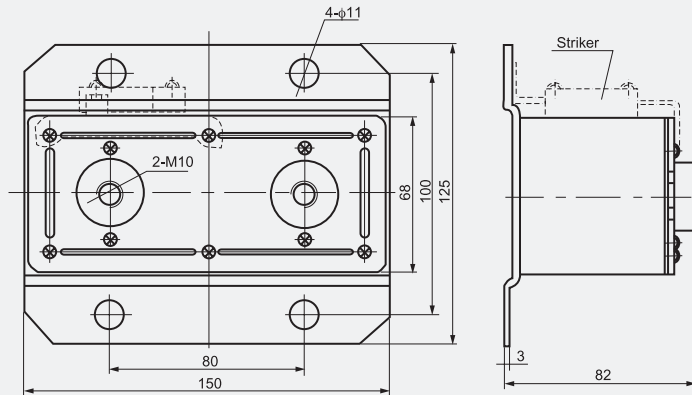


Figure 7.13



Low-Voltage Fuses  
 Fuse links

Table 7 (cont.)

Cat. No.	Models	Cross-reference	Rated voltage (V)	Rated current (A)	Dimensions/sizes (mm) Fig.	A	B	C	D	E	F	H	H1	md	Weight (g)
0775	RS85-2H	-	1000	1000	7.14	60	72	132	95	36	146	93	68	10	1500
0776	RS86-2H	RSF-3-P2K	1000	1400	7.14	73	92	162	140	40	180	102	76	10	2504

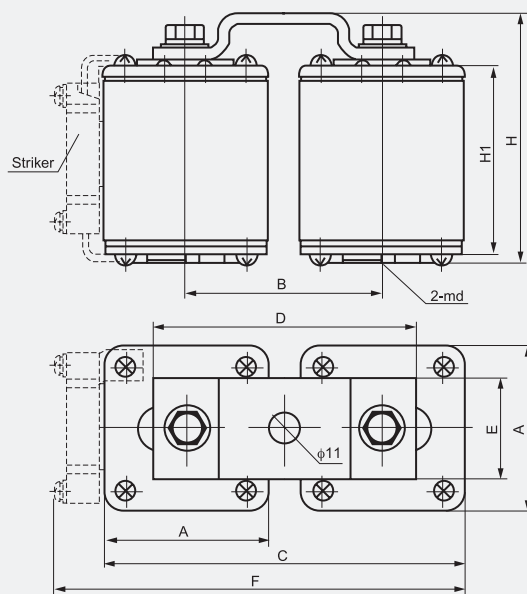


Figure 7.14





Table 7 (cont.)

Cat. No.	Models MIRO	Cross-reference	Rated voltage (V)	Rated current (A)	Dimensions/sizes (mm)	Weight (g)
					Fig.	
0777	RS85-2M	-	500	100-315	See figure 7.15	710

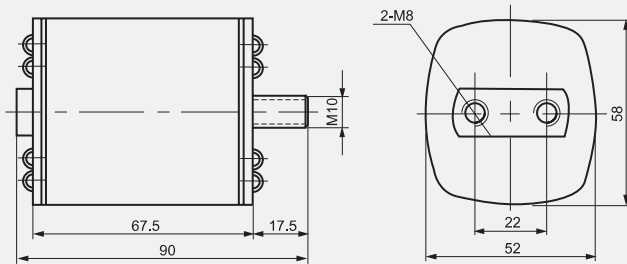


Figure 7.15



Table 7 (cont.)

Cat. No.	Models MIRO	Cross-reference	Rated voltage (V)	Rated current (A)	Fig.	Dimensions/sizes (mm)							Weight (g)
						A	B	C	D	H	H1	Md	
0778	RS77C-2M	-	660	1000	7.16	75	100	185	18	55	47	12	2700
0779	RSH20	-	2000	1000-2500	7.16	75	100	185	18	140	130	10	3890

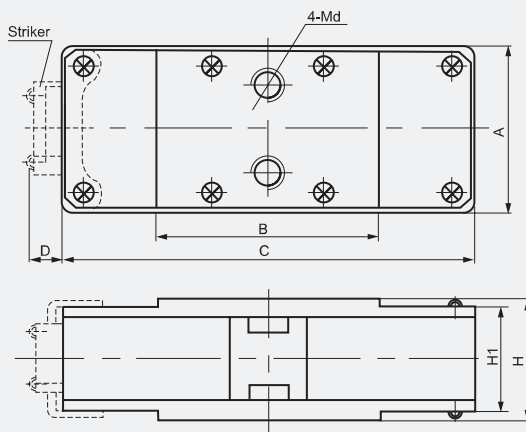
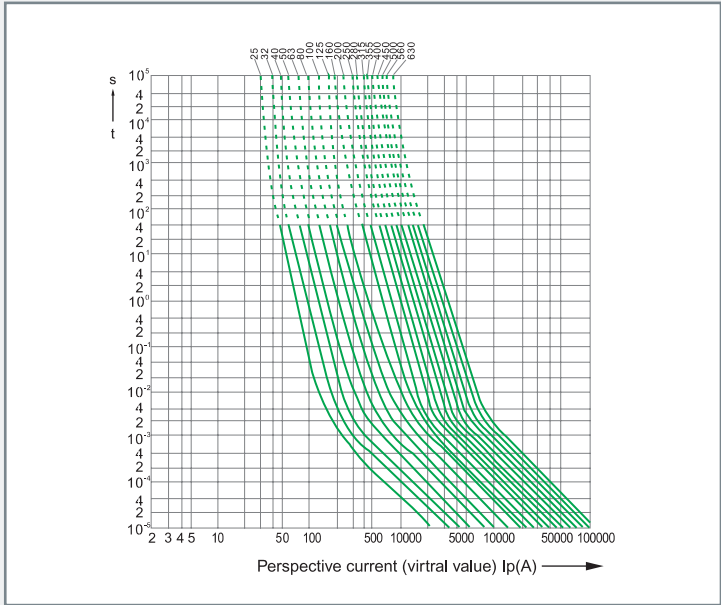


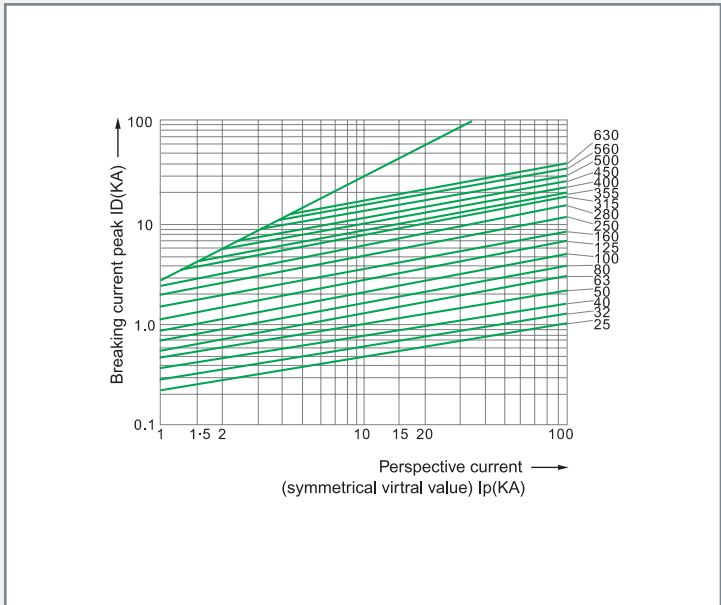
Figure 7.16



► **Characteristics Curve**



Time-current characteristics curve of (fast) fuse links for semiconductor protection



Breaking current characteristics curve of (fast) fuse links for semiconductor protection

